

**PRODUCT DESCRIPTION**

Roterra water tanks are used for the purpose of collecting rainwater for domestic use.

They are made of one piece of polyethylene and offer 100% waterproofing.

The reservoir has a telescopic raise  $\Phi$  600 x 400 mm, which allows adjustment of the height of the tank. On the top of the water tank, a polyethylene cover, suitable for loads up to 200 kg, is installed.

A different diameter of inlet and outlet pipes can be arranged on the reservoir.

The shape and dimensions of the Rotterra tanks, make it easy to manipulate on the construction site.

**The tank has been tested in accordance with standard SIST EN 12566 – 3.**

**TECHNICAL DATA RoTerra 10000 L**

Technical data	Values
Volume	10000 L
Dimensions L x D x H [mm]	3040 x 2300 x 2350 - 2850
Installation	Underground installation
Diameter of revision openings	$\Phi$ 600 mm
Telescopic adjustable extension	$\Phi$ 600 x 0 – 400 mm
Material	Polyethylene [PE]
UV resistant material	Da
Diameter of inflow pipe	DN 110, DN 125, DN 160
Diameter of outflow pipe	DN 110, DN 125, DN 160
Standard	SIST EN 12566 - 3
Cover	PE walk-on cover

**ROTERRA WATER TANKS ADVANTAGES**

- Fast and simple installation**
- Telescopic adjustable extension**
- Long life service**
- Monolithic tank**
- Possibility of installation of various inlet and outlet pipes**
- Fast delivery**
- Slovenian product**

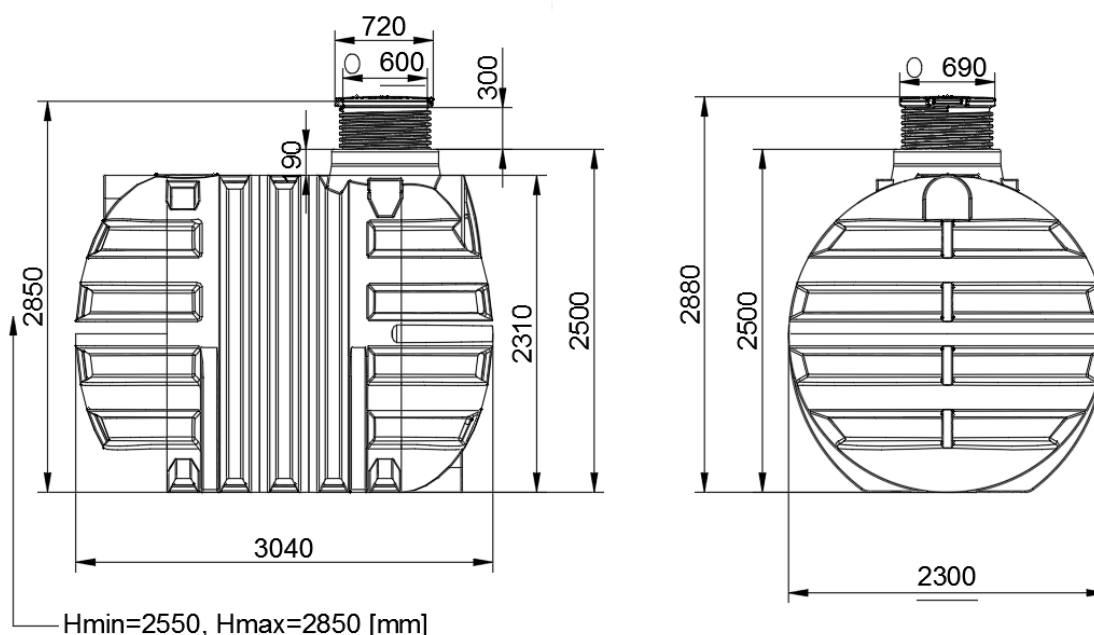
### MECHANICAL RESISTANCE AND STABILITY

Mechanical resistance and stability checked ( Report no.: P 0865 / 12 – 680 - 2 ) by the institute:  
Slovenian national building and civil engineering institute, Dimičeva ulica 12, 1000 Ljubljana



### WATERTIGHTNESS

Watertightness checked ( Report no.: P 0865 / 12 – 680 – 1 ) by the institute:  
Slovenian national building and civil engineering institute, Dimičeva ulica 12, 1000 Ljubljana



### ADDITIONAL INFORMATION

#### TANK INSTALLATION

Tank installation is fast and easy and can be made in few hours. Excavate the pit, install the tank and fill with the water at the same time. Connect it to the inflow and the outflow pipes (various standard pipes possibility). Tank can be installed by Roto experts. Installation must be made according to general instructions accessed on the QR code.

#### ADDITIONAL EQUIPMENT

Various additional accessories such as filters, level gauge and extensions can be installed on the tank. For more informations on additional equipment go to: [www.rotoECO.eu](http://www.rotoECO.eu)



Instructions for installation



Roto Eco d.o.o.

Puconci 12, 9201 Puconci,

SLOVENIA

Customer support: (+386) 2 5252 152

Technical support: (+386) 2 5252 196

Web page: [www.rotoECO.eu](http://www.rotoECO.eu)

All rights are reserved, including the rights of photomechanical reproductions and storage on electronic media. The manufacturer reserves the rights to change the product. Any commercial use of the processes and working procedures assumed in this document is prohibited. Although information, texts and photos were carefully collected. The mistakes can not be completely excluded. The publisher and editors can not assume legal responsibility or guarantee any incorrect information. The publisher and editors are grateful for any possible suggestions for improvements and warnings of possible mistakes in the text.